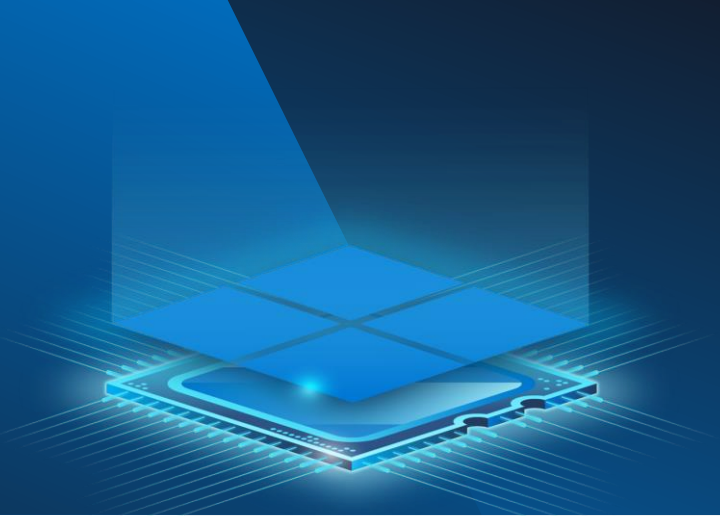


Microsoft Pluton

Ongoing protection, helping keep devices safe at home, at work, at play



Designed by Microsoft and built by silicon partners, Pluton delivers enhanced security to the core of new Windows 11 devices.

With Windows 11, hardware and software work together for protection from the CPU all the way to the cloud.



Ongoing up-to-date protection

Designed by Microsoft and built by silicon partners, Pluton is built into the CPU for security at the core, helping to ensure system integrity and the latest protection with updates delivered by Microsoft.



Blocks physical attacks

Pluton protects credentials, identities, personal data and encryption keys with powerful safeguards against physical attack. Information cannot be removed even if an attacker has installed malware or has complete physical possession of the PC.



Trusted, proven, built with partners

Pluton is built on proven technology used in Microsoft Xbox and Microsoft Azure Sphere. Microsoft brings Pluton hardened integrated security capabilities to Windows 11 devices in collaboration with leading silicon partners.

Are you at risk?

Cyber-attacks and costs are on the rise.



80%

surveyed believe that software isn't enough, modern hardware is needed ¹



87%

of security decision makers surveyed experienced one firmware attack in the last two years¹



\$3.86M

Average cost to a business of a data breach.²

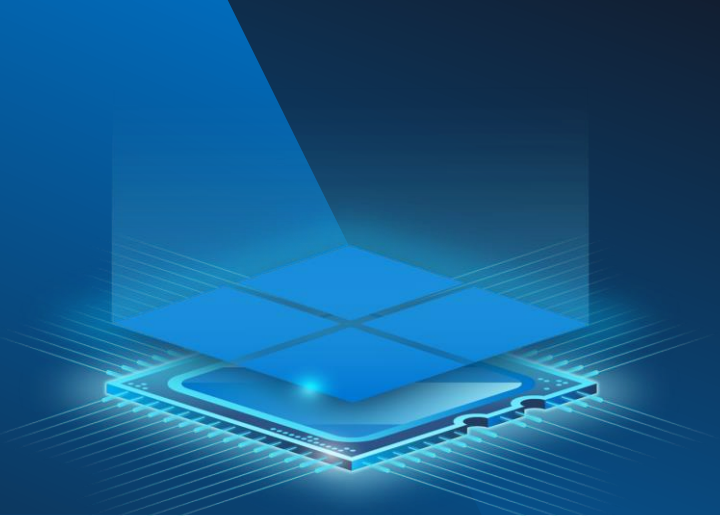
Designed by Microsoft and built by silicon partners, Pluton technology is integrated directly into the PC's processor hardening new Windows 11 devices with ongoing protection for user identity, data and apps.



Visit aka.ms/CES2022Pluton and aka.ms/windows11security today.

Microsoft Pluton

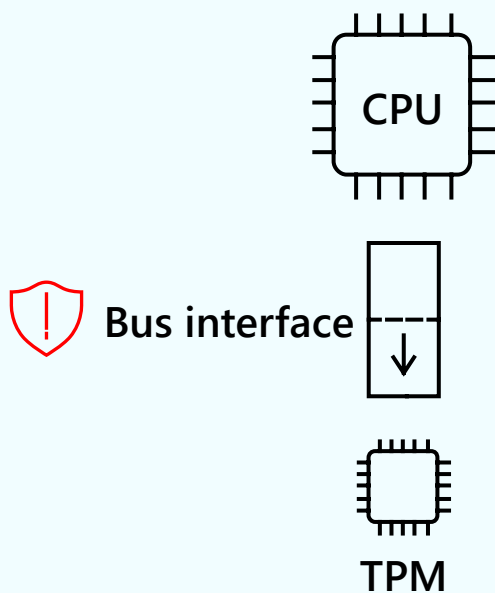
Ongoing protection, helping keep devices safe at home, at work, at play



How Pluton Works

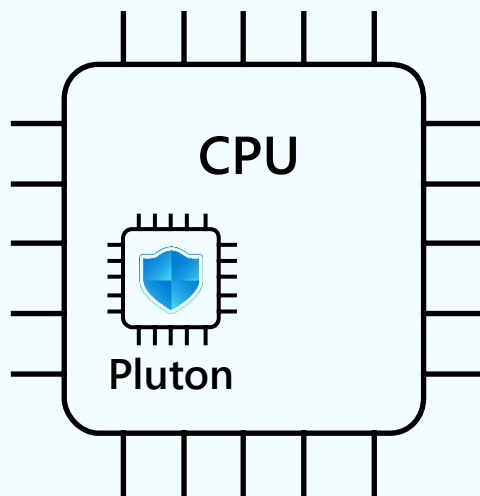
Traditional security processor

Vulnerable to exploits across bus interface



Pluton security processor

Built into CPU, reduces attack surface area



Pluton Capabilities

1. **Flexible and compatible:** Pluton can be used as a TPM or in conjunction with a TPM.

2. **Microsoft Support:** Microsoft provides support for firmware attestation.

3. **Always up-to-date:** Pluton firmware updates through Windows Update.

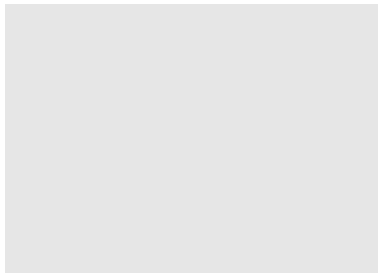
4. **Continuous Innovation:** Additional capabilities are enabled over coming releases.

Microsoft Pluton

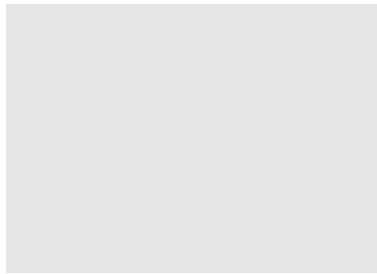
Proven technology and partnerships



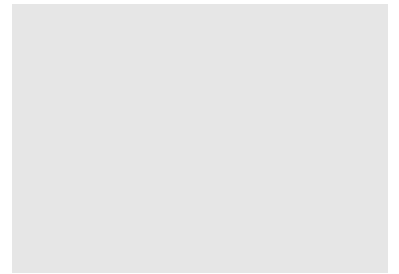
Get started today with the latest security processor built into the CPU where hardware and software are tightly integrated in a unified approach designed to eliminate entire vectors of attack.



Model name
Price
Specs/Description



Model name
Price
Specs/Description



Model name
Price
Specs/Description

Get started today with the latest security processor built into the CPU.



[Insert offer information or your value proposition here.]

Lorem ipsum dolor sit amet, consectetur adipiscing elit, sed do eiusmod tempor incididunt ut labore et dolore magna aliqua. Ut enim ad minim veniam, quis nostrud exercitation ullamco laboris nisi ut aliquip ex ea commodo consequat.

Partner logo

Learn more at
www.partner.com
today

